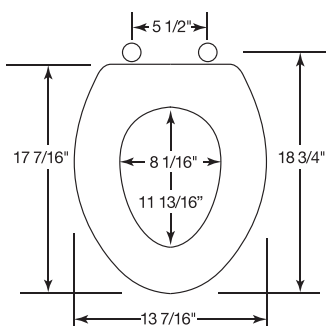




RESIDENTIAL MOLDED WOOD SEATS

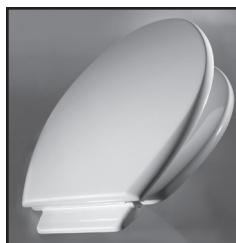
MODEL 1830XC XCITE!™

- ELONGATED SEAT, CLOSED FRONT WITH COVER
- MOLDED WOOD
- INTEGRATED XCITE!™ HINGE



Ring thickness is 5/8"
Height of the seat with cover is 2-1/4"

Seats shall be 1830XC as manufactured by Church Seats shall be molded wood, multi-coat enamel finish with closed front and cover to fit elongated bowl. Color matched bumpers and hinges. Integrated XCITE!™ hinge with no visible hardware or fasteners. Color to be white.



SMOOTH, HYGIENIC DESIGN



NO VISIBLE HARDWARE OR FASTENERS



SECURE, STABLE MOUNT