



MODEL #

COLOR #

290SLOWT

DESCRIPTION :

Open front with cover, elongated, injection molded solid plastic toilet seat. Features four molded-in bumpers, color-matched Whisper•Close® with Easy•Clean & Change™ hinges with STA-TITE® Residential Fastening System™. Seat contains DuraGuard® Antimicrobial Built-In Seat Protection™.

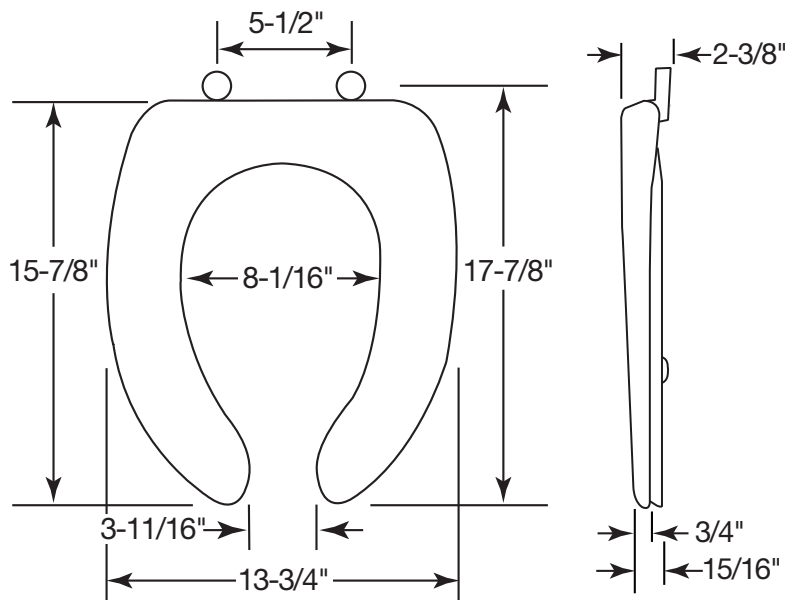
SPECIFICATIONS :

Size:	Elongated
Material:	Plastic
Style:	Open Front with Cover
Bumpers:	Four
Hinges:	Whisper•Close® with Easy•Clean & Change™
Fastening System:	STA-TITE® Residential Fastening System™

FEATURES :

- Whisper•Close® with Easy•Clean & Change™
- STA-TITE® Residential Fastening System™
- DuraGuard® Antimicrobial Built-In Seat Protection™

DIMENSIONS :



PLASTIC EASY•CLEAN & CHANGE™ HINGES



WHISPER•CLOSE® FEATURE



TWIST HINGE TO UNLOCK



EASY REMOVAL OF SEAT FOR THOROUGH CLEANING



STA-TITE® RESIDENTIAL FASTENING SYSTEM™

Proudly Made in the USA