

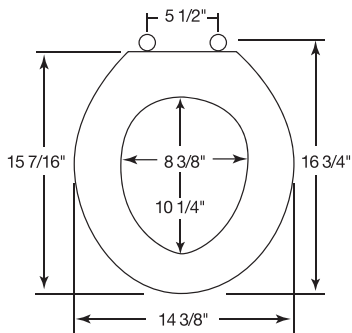


RESIDENTIAL MOLDED WOOD SEATS

MODEL 830XC

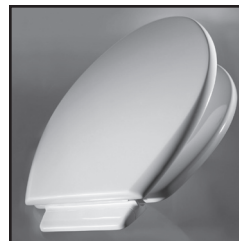


- ROUND SEAT, CLOSED FRONT WITH COVER
- MOLDED WOOD
- INTEGRATED XCITE!TM HINGE



Ring thickness is 5/8"
Height of the seat with cover is 2-1/4"

Seats shall be 830XC as manufactured by Church Seats shall be molded wood, multi-coat enamel finish with closed front and cover to fit round bowl. Color matched bumpers and hinges. Integrated XCITE!TM hinge with no visible hardware or fasteners. Color to be white.



SMOOTH, HYGIENIC DESIGN



NO VISIBLE HARDWARE OR FASTENERS



SECURE, STABLE MOUNT