



HOSPITALITY HEAVY-DUTY PLASTIC TOILET SEAT



WHISPER•CLOSE®
FEATURE



PLASTIC WHISPER•CLOSE®
HINGES WITH STAINLESS
STEEL POSTS



STA-TITE® COMMERCIAL
FASTENING SYSTEM™

MODEL #

COLOR #

7400TDGSL

DESCRIPTION:

Closed front with cover, elongated, heavy-duty, injection molded solid plastic toilet seat. Features four molded-in bumpers, color-matched Whisper•Close® check hinges with non-corrosive 300 Series stainless steel posts and STA-TITE® Commercial Fastening System™. Seat contains DuraGuard® Antimicrobial Built-in Seat Protection™. This seat complies with American National Standard Z124.5 Toilet (Water Closet) Seats as a class Commercial Heavy Duty.

SPECIFICATIONS:

Size:	Elongated
Material:	Plastic
Style:	Closed Front with Cover
Bumpers:	Four
Hinges:	Plastic Whisper•Close® with 300 Series Stainless Steel Posts
Fastening System:	STA-TITE® Commercial Fastening System™

FEATURES:

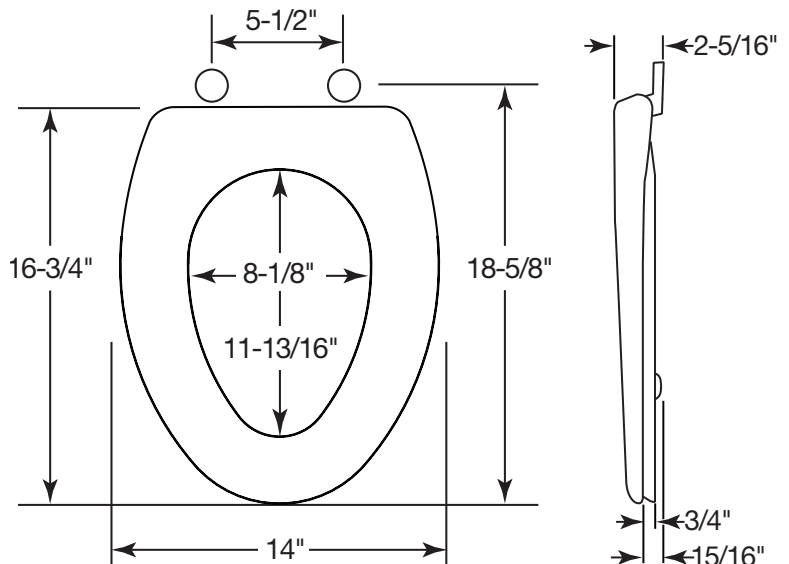
Whisper•Close®

STA-TITE® Commercial Fastening System™

DuraGuard® Antimicrobial Built-in Seat Protection™

Non-Corrosive 300 Series Stainless Steel Posts

DIMENSIONS:



Proudly Made in the USA

Church Seats., Sheboygan Falls, WI 53085
www.ChurchSeats.com

Phone: 920-467-2664 | 800-233-7328 Fax: 920-467-8573

©2011 0B7082218