

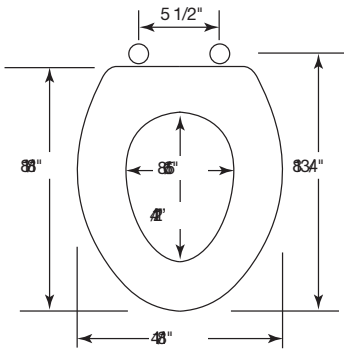


RESIDENTIAL PLASTIC SEATS

MODEL 1100EC

EASY•CLEAN™

- ELONGATED SEAT, CLOSED FRONT WITH COVER
- EASY•CLEAN™ HINGE FOR EASY CLEANING



Ring thickness is 3/4"  
 Ring thickness including the bumper is 1-1/8"  
 Height of the seat with cover is 2-3/8"

Seats shall be No. 1100EC as manufactured by Church Seats. Seats shall be heavy weight and injection molded of solid plastic. Seats shall be closed front with cover for elongated bowl and feature large, molded-in bumpers. Color-matched, Easy•Clean™ hinges lift-off™ for easy cleaning. Color to be \_\_\_\_\_. (specify white or fixture manufacturer's color)



EASY•CLEAN™ HINGE



TWIST HINGE TO UNLOCK



LIFT-OFF™ FEATURE



EASY•CLEAN™ LIFTS OFF FOR EASY CLEANING