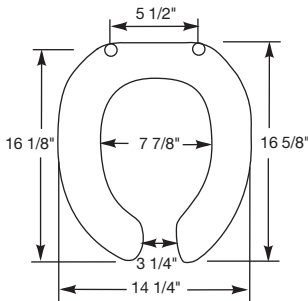




# MODEL 2L2055T

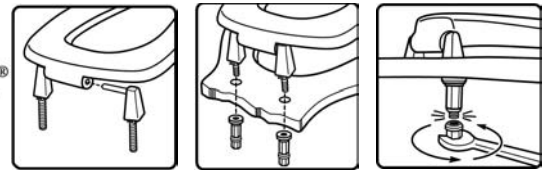
- 2" LIFT SEAT
- ROUND SEAT, OPEN FRONT LESS COVER
- HEAVY DUTY PLASTIC
- DURAGUARD<sup>®</sup> ANTIMICROBIAL AGENT
- STA-TITE<sup>®</sup>, COMMERCIAL FASTENING SYSTEM<sup>™</sup>

DuraGuard<sup>®</sup>  
ANTIMICROBIAL



Ring thickness is 13/16"  
Ring thickness including the bumper is 2"  
Height of the seat is 3-1/4"

STATITE<sup>®</sup>



Assemble hinges.

Finger-tighten fastening nuts.

Using wrench, tighten until lower portion shears off.



STA-TITE<sup>®</sup>, COMMERCIAL FASTENING SYSTEM<sup>™</sup>, ONE-PIECE INTEGRATED NUT AND WASHER



EXTERNAL CHECK HINGE WITH 300 SERIES STAINLESS STEEL BOLTS



ADDITIONAL 2" OF HEIGHT