

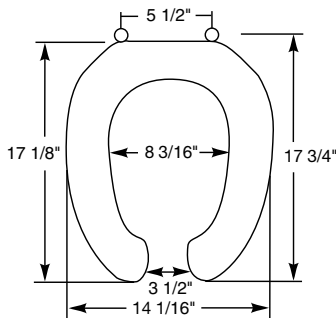


M E D I C - A I D<sup>®</sup> S E A T S

## MODEL 2L2150



- 2" LIFT SEAT
- ELONGATED SEAT, OPEN FRONT WITH COVER
- SOLID PLASTIC
- DURAGUARD<sup>®</sup> ANTIMICROBIAL AGENT



Seats shall be No. 2L2150 as manufactured by Church Seats to allow an additional 2" of height above the rim of the bowl. Seats shall contain DuraGuard<sup>®</sup>, an antimicrobial agent. Seats shall be heavy weight and injection molded of solid plastic. Seats shall be open front with cover for elongated bowl and feature large molded-in bumpers. Hinges and pintles feature 300 Series stainless steel. Color to be white.

Ring thickness is 3/4"  
Ring thickness including the bumper is 2-1/16"  
Height of the seat with cover is 3-1/4"

