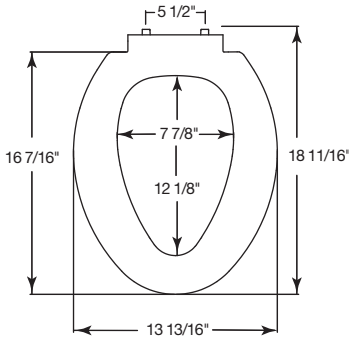




RESIDENTIAL PLASTIC SEATS

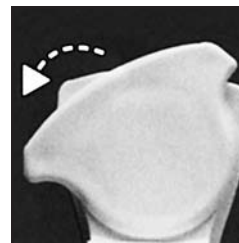
MODEL 380SLOW EASY•2™

- ELONGATED SEAT, CLOSED FRONT WITH COVER
- SOLID PLASTIC
- EASY•2™ HINGE



Ring thickness is 5/8"
Ring thickness including the bumper is 7/8"
Height of the seat with cover is 2-7/16"

Seats shall be No. 380SLOW as manufactured by Church Seats. Seats shall be heavy weight and injection molded of solid plastic. Seats shall be closed front with cover for elongated bowl and feature large molded-in bumpers. Color matched hinges contain stainless steel pintles, non-corrosive top-tightening bolts, wing nuts and no-slip washers. Easy•2™ hinge eliminates slamming and pinched fingers and lifts off for easy cleaning. Color to be _____. (specify white or fixture manufacturer's color)



TWIST HINGE TO UNLOCK



EASY•CLEAN™ FEATURE



SILENT EASY•CLOSE™
FEATURE