



# COMMERCIAL HEAVY-DUTY PLASTIC TOILET SEAT

MODEL #

COLOR #

## 126CAMT

### DESCRIPTION :

Open front less cover, baby bowl, heavy-duty, injection molded solid plastic toilet seat. Features two molded-in bumpers, check hinges with non-corrosive 300 Series stainless steel posts and pintles and STA-TITE® Commercial Fastening System™. Seat contains DuraGuard® Antimicrobial\* Built-In Seat Protection™. This seat complies with IAPMO/ANSI Z124.5-2013 Plastic Toilet Seats as a class Commercial Heavy Duty.

\* DuraGuard® Antimicrobial does not protect users against bacteria, viruses, or other disease organisms. Always clean and wash this product thoroughly before and after each use.

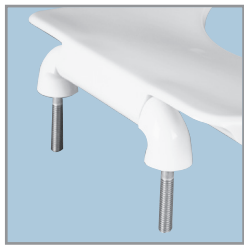
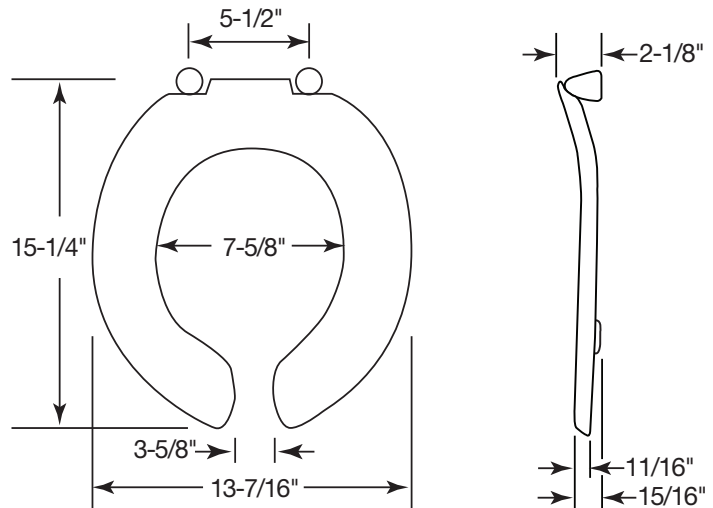
### SPECIFICATIONS :

Size:	Toddler/Baby
Material:	Plastic
Style:	Open Front less Cover
Bumpers:	Two
Hinges:	Plastic with 300 Series Stainless Steel Posts and Pintles
Fastening System:	STA-TITE® Commercial Fastening System™

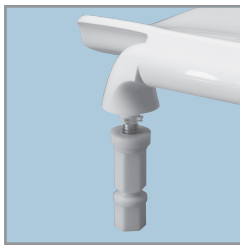
### FEATURES :

- STA-TITE® Commercial Fastening System™
- DuraGuard® Antimicrobial Built-In Seat Protection™
- Non-Corrosive 300 Series Stainless Steel Posts and Pintles

### DIMENSIONS :



PLASTIC HINGES WITH STAINLESS STEEL POSTS AND PINTLES



STA-TITE® COMMERCIAL FASTENING SYSTEM™

