



RESIDENTIAL PLASTIC TOILET SEAT

MODEL #

COLOR #

130EC

DESCRIPTION :

Closed front with cover, elongated, injection molded solid plastic toilet seat. Features four molded-in bumpers, color-matched Easy•Clean & Change® hinges with non-corrosive, top-tightening bolts and wing nuts. This seat complies with IAPMO/ANSI Z124.5-2013 Plastic Toilet Seats as a class Commercial Heavy Duty.

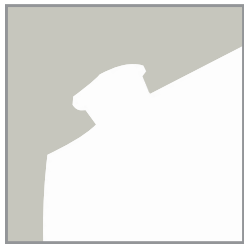
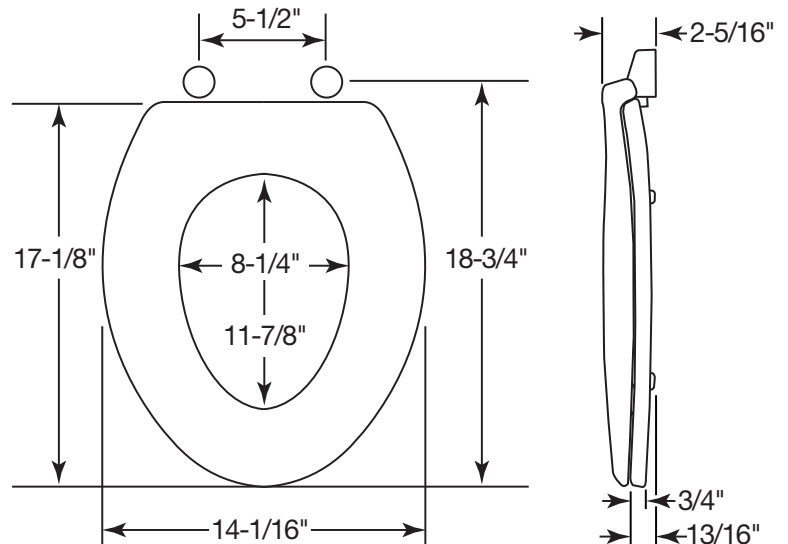
SPECIFICATIONS :

Size:	Elongated
Material:	Plastic
Style:	Closed Front with Cover
Bumpers:	Four
Hinges:	Plastic Easy•Clean & Change®
Fastening System:	Non-Corrosive Bolts and Wing Nuts

FEATURES :

- Easy•Clean & Change®
- Non-Corrosive Bolts and Wing Nuts

DIMENSIONS :



PLASTIC EASY•CLEAN & CHANGE® HINGES



TWIST HINGES TO UNLOCK



EASY REMOVAL OF SEAT FOR THOROUGH CLEANING



NON-CORROSIVE BOLTS AND WING NUTS

