



# RESIDENTIAL NEXTSTEP® MOLDED WOOD TOILET SEAT

MODEL #

COLOR #

## 1683SLOW

### DESCRIPTION:

Closed front with cover, elongated, molded wood, multi-coat enamel finish toilet seat. Features two color-matched bumpers, color-matched Whisper•Close® with Easy•Clean & Change® hinges with STA-TITE® Seat Fastening System™. Seat shall have an integrated solid-plastic child seat to accommodate the needs of both adult and child. Child seat secures magnetically into cover when not in use and can be removed for easy cleaning or when no longer needed.

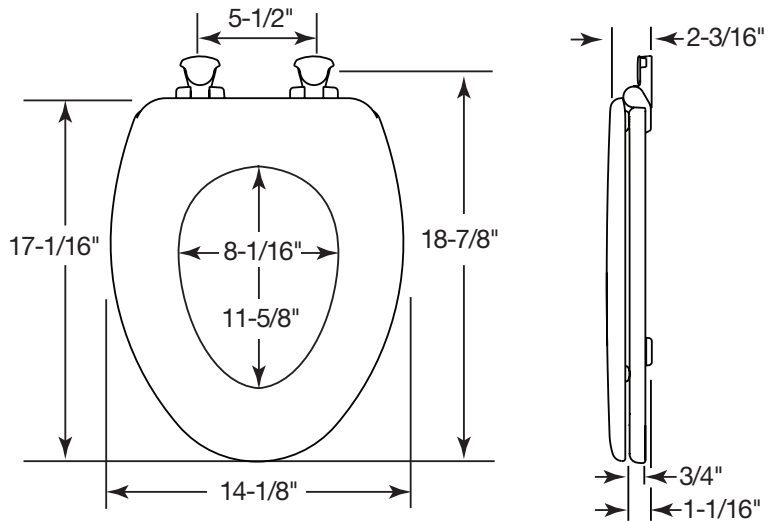
### SPECIFICATIONS:

Size:	Elongated
Material:	Molded Wood/Plastic
Style:	Closed Front with Cover
Bumpers:	Two
Hinges:	Plastic Whisper•Close® with Easy•Clean & Change®
Fastening System:	STA-TITE® Seat Fastening System™

### FEATURES:

- Built-In Potty Seat™
- Whisper•Close®
- Easy•Clean & Change®
- STA-TITE® Seat Fastening System™

### DIMENSIONS:



Child Ring Dimensions:  
 Inside Ring Length 7-15/16"  
 Inside Ring Width 5-1/8"



WHISPER•CLOSE®  
FEATURE



TWIST HINGES TO UNLOCK



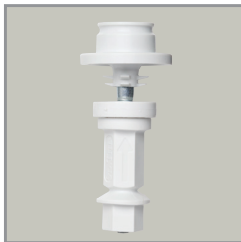
EASY REMOVAL OF SEAT  
FOR THOROUGH CLEANING



CHILD SEAT SECURES  
MAGNETICALLY INTO  
COVER WHEN NOT IN USE



REMOVABLE CHILD SEAT



STA-TITE® SEAT  
FASTENING SYSTEM™

Proudly Made in the USA

Church Seats, Sheboygan Falls, WI 53085  
www.ToiletSeats.com

Phone: 800-233-7328 Fax: 800-292-3647