

MODEL #

COLOR #

7300SL

DESCRIPTION :

Closed front with cover, elongated, injection molded solid plastic toilet seat. Features four molded-in bumpers, color-matched Whisper•Close® hinges with STA-TITE® Seat Fastening System™.

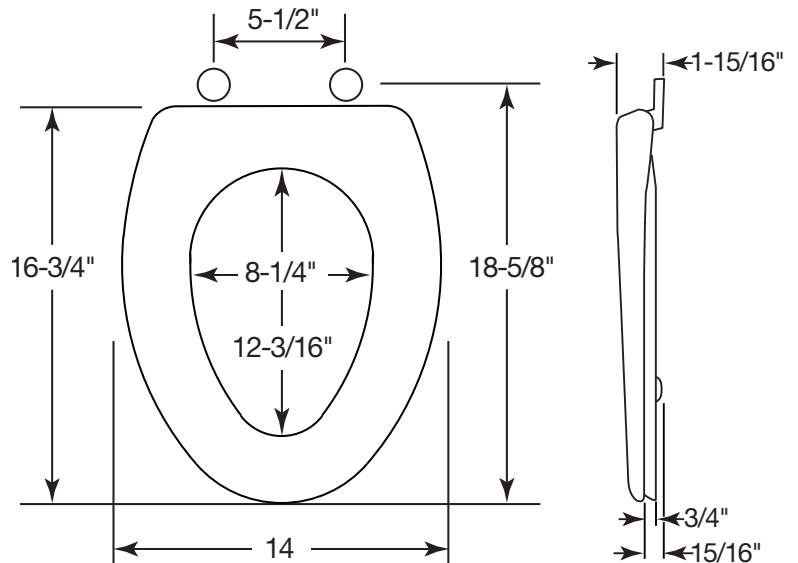
SPECIFICATIONS :

Size: Elongated
 Material: Plastic
 Style: Closed Front with Cover
 Bumpers: Four
 Hinges: Plastic Whisper•Close®
 Fastening System: STA-TITE® Seat Fastening System™

FEATURES :

Whisper•Close®
 STA-TITE® Seat Fastening System™

DIMENSIONS :



**WHISPER•CLOSE®
FEATURE**



**PLASTIC WHISPER•CLOSE®
HINGES**



**STA-TITE® SEAT
FASTENING SYSTEM™**